



N-GRAVITY 5

Technical specifications



TECHNICAL DATA

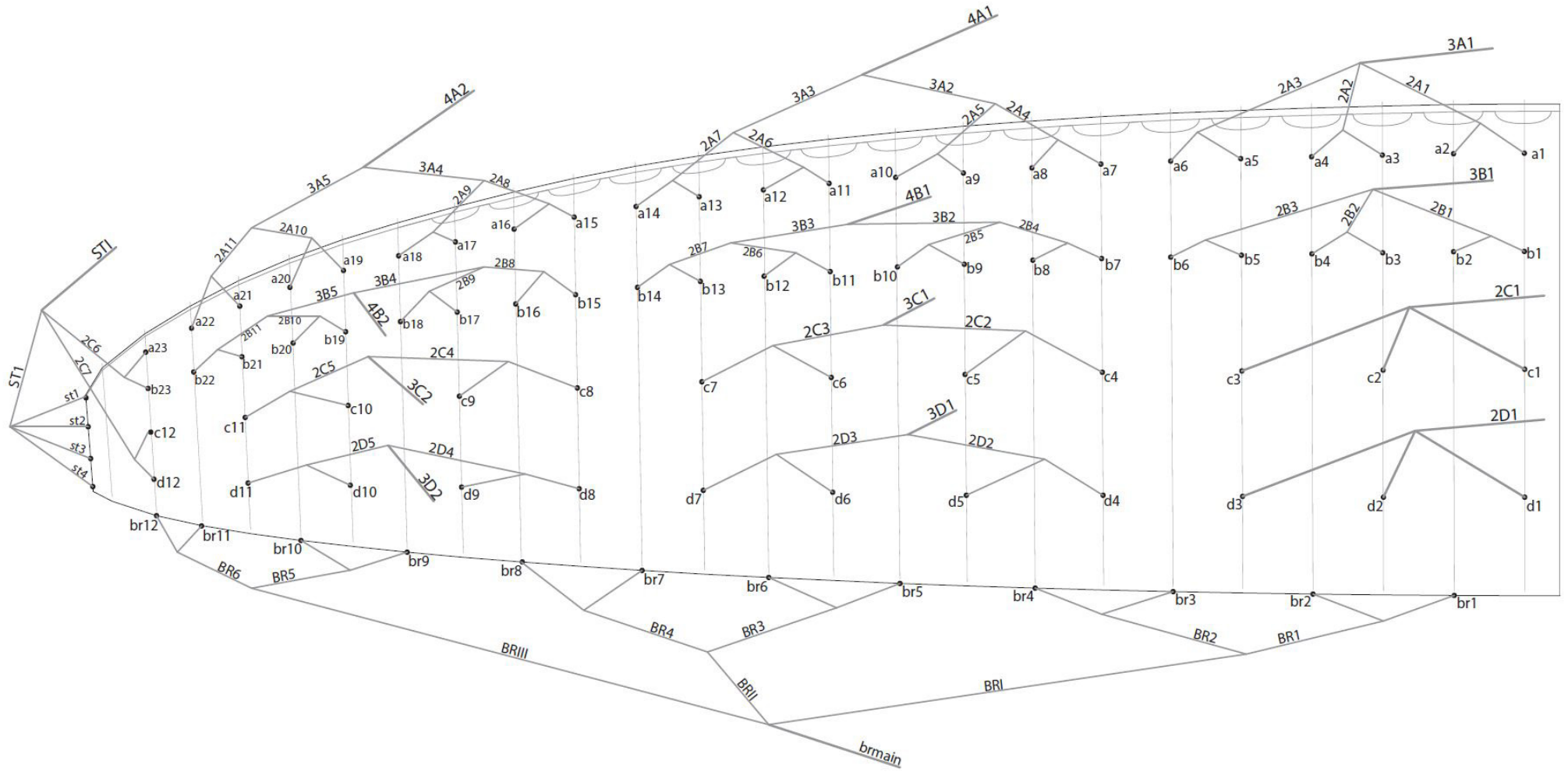
N-GRAVITY 5			16	17	18	19
CELLS	NUMBER		49	49	49	49
ASPECT RATIO	FLAT		5,6	5,6	5,6	5,6
AREA	FLAT	M2	16	17	18	19
	PROJECTED	M2	13,78	14,64	15,5	16,4
CORD	MAXIMUM	M	2,07	2,13	2,2	2,26
LINES	TOTAL METERS	M	318,5	328	339	348
	MAIN		3/3/4/3	3/3/4/3	3/3/4/3	3/3/4/3
RISERS	NUMBER	4	A/B/C/D	A/B/C/D	A/B/C/D	A/B/C/D
	TRIMS		NO	NO	NO	NO
	ACCELERATOR	MM	150	150	150	150
TOTAL WEIGHT	MINIMUM	KG	60	70	80	95
IN FLIGHT	MAXIMUM	KG	90	100	110	120
GLIDER WEIGHT		KG	4,9	5,1	5,3	5,6
CERTIFICATION		EN	926-1	926-1	926-1	926-1

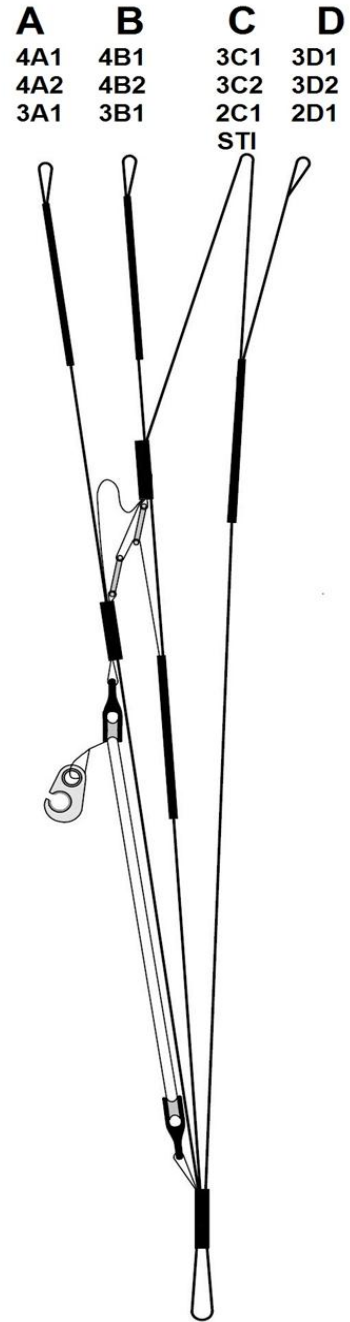
MATERIALS TECHNICAL DATA

CANOPY	FABRIC CODE	SUPPLIER
UPPER SURFACE	9017 E25	PORCHER IND (FRANCE)
BOTTOM SURFACE	N20 DMF	DOMINICO TEX CO (KOREA)
RIBS	9017-E29	PORCHER IND (FRANCE)
DIAGONALS	9017-E29	PORCHER IND (FRANCE)
LOOPS	LKI - 10	KOLON IND. (KOREA)
REINFORCEMENT LOOPS	W-420	D-P (GERMANY)
TRAILING EDGE REINFORCEMENT	MYLAR	D-P (GERMANY)
RIB REINFORCEMENT	LTN-0.8 STICK	SPORTWARE CO. (CHINA)
THREAD	SERAFIL 60	AMAN (GERMANY)

SUSPENSION LINES	FABRIC CODE	SUPPLIER
UPPER CASCADES	A-8000/U-050	EDELRID (GERMANY)
UPPER CASCADES	A-8000/U-070	EDELRID (GERMANY)
MIDDLE CASCADES	A-8000/U-070	EDELRID (GERMANY)
MIDDLE CASCADES	A-8000/U-090	EDELRID (GERMANY)
MIDDLE CASCADES	A-8000/U-130	EDELRID (GERMANY)
MIDDLE CASCADES	A-8000/U-190	EDELRID (GERMANY)
MAIN	A-8000/U-130	EDELRID (GERMANY)
MAIN	A-8000/U-190	EDELRID (GERMANY)
MAIN	A-8000/U-230	EDELRID (GERMANY)
MAIN	A-8000/U-360	EDELRID (GERMANY)
MAIN BREAK	TNL - 400	TEIJIM LIMITED (JAPAN)
THREAD	SERAFIL 60	AMAN (GERMANY)

RISERS	FABRIC CODE	SUPPLIER
MATERIAL	G-R 22	TECNI SANGLES (FRANCE)
COLOUR INDICATOR	PAD	TECNI SANGLES (FRANCE)
THREAD	V138	COATS (UK)
MAILLONS	MRI4	ANSUNG PRECISION (KOREA)
PULLEYS	PY - 1304-2	ANSUNG PRECISION (KOREA)



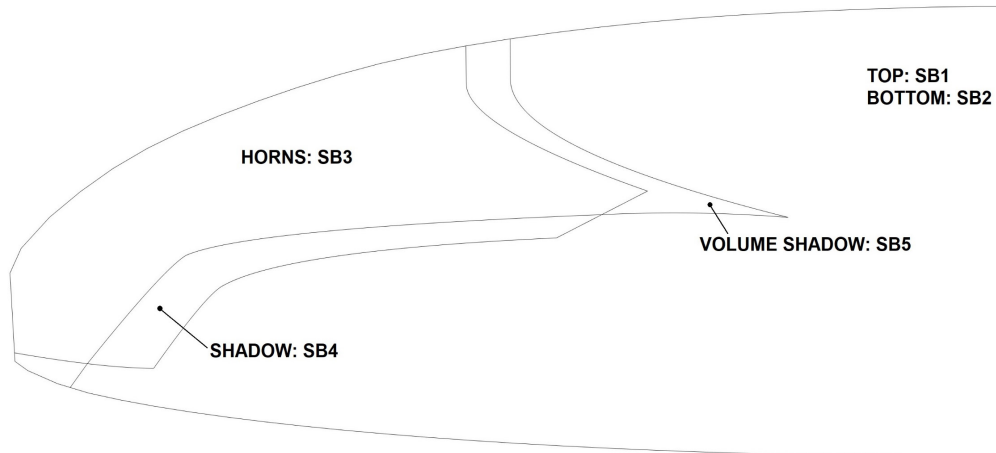


COLOURS TECHNICAL DATA

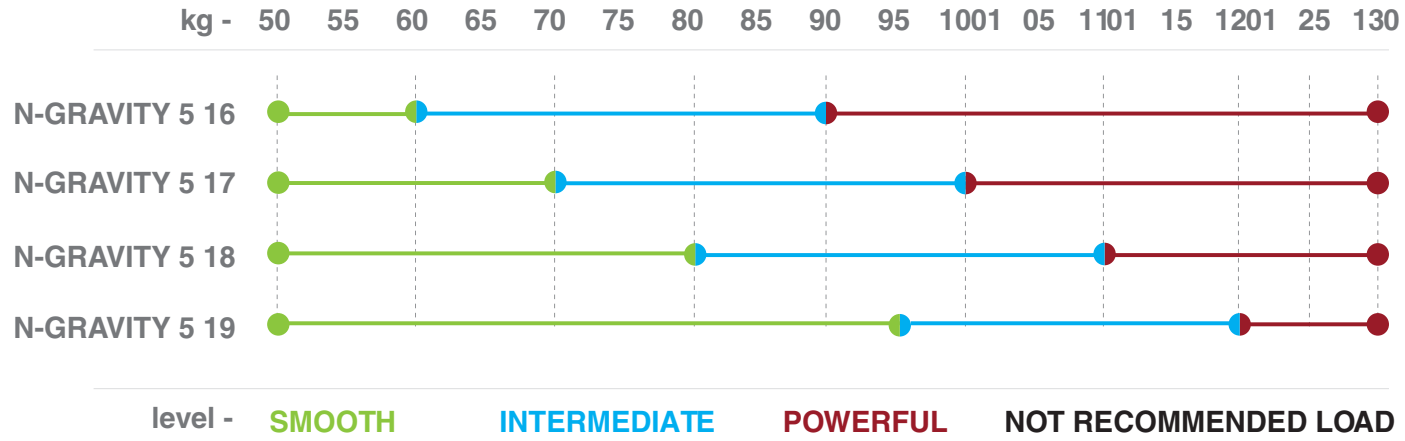
ZURA	SB1	ROYAL BLUE	TOP	REF: 317
	SB2	ROYAL BLUE	BOTTOM	REF: 317
	SB3	SANGRIA	HORNS	REF: 19-2047
	SB4	BLACK	SHADOW	REF: 102
	SB5	WHITE	VOLUME SHADOW	REF: 001



BELO	SB1	SPECTRA GREEN	TOP	REF: 17-5335
	SB2	SPECTRA GREEN	BOTTOM	REF: 17-5335
	SB3	GOLD	HORNS	REF: 939
	SB4	BLACK	SHADOW	REF: 102
	SB5	WHITE	VOLUME SHADOW	REF: 001



LEVEL RANGE



LINES TECHNICAL DATA

N-GRAVITY 5

16

REF.	MAT.	kg	COLOUR	m/m	REF.	MAT.	kg	COLOUR	m/m	REF.	MAT.	kg	COLOUR	m/m	REF.	MAT.	kg	COLOUR	m/m	REF.	MAT.	kg	COLOUR	m/m	
A					B					C					D						BRAKE				
a1	8000/U	70	NATURAL	441	b1	8000/U	70	NATURAL	438	c1	8000/U	90	NATURAL	1.500	d1	8000/U	70	NATURAL	1.347	br1	8000/U	50	NATURAL	814	
a2	8000/U	70	NATURAL	398	b2	8000/U	70	NATURAL	395	c2	8000/U	90	NATURAL	1.416	d2	8000/U	70	NATURAL	1.255	br2	8000/U	50	NATURAL	647	
a3	8000/U	70	NATURAL	435	b3	8000/U	70	NATURAL	431	c3	8000/U	90	NATURAL	1.427	d3	8000/U	70	NATURAL	1.277	br3	8000/U	50	NATURAL	753	
a4	8000/U	70	NATURAL	415	b4	8000/U	70	NATURAL	412	c4	8000/U	90	NATURAL	867	d4	8000/U	70	NATURAL	749	br4	8000/U	50	NATURAL	746	
a5	8000/U	70	NATURAL	419	b5	8000/U	70	NATURAL	416	c5	8000/U	70	NATURAL	736	d5	8000/U	70	NATURAL	595	br5	8000/U	50	NATURAL	745	
a6	8000/U	70	NATURAL	426	b6	8000/U	70	NATURAL	423	c6	8000/U	70	NATURAL	734	d6	8000/U	70	NATURAL	593	br6	8000/U	50	NATURAL	604	
a7	8000/U	70	NATURAL	429	b7	8000/U	70	NATURAL	425	c7	8000/U	70	NATURAL	761	d7	8000/U	70	NATURAL	646	br7	8000/U	50	NATURAL	644	
a8	8000/U	70	NATURAL	346	b8	8000/U	70	NATURAL	343	c8	8000/U	70	NATURAL	645	d8	8000/U	70	NATURAL	585	br8	8000/U	50	NATURAL	650	
a9	8000/U	70	NATURAL	416	b9	8000/U	70	NATURAL	412	c9	8000/U	70	NATURAL	518	d9	8000/U	70	NATURAL	443	br9	8000/U	50	NATURAL	682	
a10	8000/U	70	NATURAL	397	b10	8000/U	70	NATURAL	394	c10	8000/U	70	NATURAL	533	d10	8000/U	70	NATURAL	466	br10	8000/U	50	NATURAL	577	
a11	8000/U	70	NATURAL	409	b11	8000/U	70	NATURAL	405	c11	8000/U	70	NATURAL	543	d11	8000/U	70	NATURAL	484	br11	8000/U	50	NATURAL	279	
a12	8000/U	70	NATURAL	375	b12	8000/U	70	NATURAL	372	c12	8000/U	70	NATURAL	437	d12	8000/U	70	NATURAL	482	br12	8000/U	50	NATURAL	275	
a13	8000/U	70	NATURAL	360	b13	8000/U	70	NATURAL	358	st3	8000/U	70	NATURAL	1.015	st4	8000/U	70	NATURAL	1.040						
a14	8000/U	70	NATURAL	394	b14	8000/U	70	NATURAL	392																
a15	8000/U	70	NATURAL	377	b15	8000/U	70	NATURAL	371																
a16	8000/U	70	NATURAL	295	b16	8000/U	70	NATURAL	292																
a17	8000/U	70	NATURAL	351	b17	8000/U	70	NATURAL	347																
a18	8000/U	70	NATURAL	331	b18	8000/U	70	NATURAL	328																
a19	8000/U	70	NATURAL	332	b19	8000/U	70	NATURAL	327																
a20	8000/U	70	NATURAL	294	b20	8000/U	70	NATURAL	291																
a21	8000/U	70	NATURAL	293	b21	8000/U	70	NATURAL	289																
a22	8000/U	70	NATURAL	315	b22	8000/U	70	NATURAL	306																
a23	8000/U	70	NATURAL	373	b23	8000/U	70	NATURAL	353																
st1	8000/U	70	NATURAL	1006	st2	8000/U	70	NATURAL	1.002																
2A1	8000/U	130	NATURAL	1742	2B1	8000/U	130	NATURAL	1.728	2C2	8000/U	130	NATURAL	777	2D2	8000/U	130	NATURAL	643	BR1	8000/U	70	NATURAL	1.176	
2A2	8000/U	130	NATURAL	1672	2B2	8000/U	130	NATURAL	1.659	2C3	8000/U	130	NATURAL	719	2D3	8000/U	130	NATURAL	584	BR2	8000/U	70	NATURAL	959	
2A3	8000/U	130	NATURAL	1661	2B3	8000/U	130	NATURAL	1.649	2C4	8000/U	130	NATURAL	623	2D4	8000/U	90	NATURAL	576	BR3	8000/U	70	NATURAL	976	
2A4	8000/U	130	NATURAL	711	2B4	8000/U	130	NATURAL	705	2C5	8000/U	90	NATURAL	538	2D5	8000/U	90	NATURAL	476	BR4	8000/U	70	NATURAL	853	
2A5	8000/U	130	NATURAL	584	2B5	8000/U	130	NATURAL	580	2C6	8000/U	90	NATURAL	1.242							BR5	8000/U	70	NATURAL	504
2A6	8000/U	130	NATURAL	596	2B6	8000/U	130	natural	592	2C7	8000/U	90	NATURAL	1.176							BR6	8000/U	70	NATURAL	737
2A7	8000/U	130	NATURAL	609	2B7	8000/U	130	NATURAL	605	ST1	8000/U	70	NATURAL	544											
2A8	8000/U	90	NATURAL	570	2B8	8000/U	90	NATURAL	561																
2A9	8000/U	90	NATURAL	455	2B9	8000/U	90	NATURAL	451																
2A10	8000/U	90	NATURAL	479	2B10	8000/U	90	NATURAL	475																
2A11	8000/U	90	NATURAL	466	2B11	8000/U	90	NATURAL	463																
3A2	8000/U	190	NATURAL	1012	3B2	8000/U	190	NATURAL	1.004											BR1	8000/U	130	NATURAL	3.401	
3A3	8000/U	190	NATURAL	952	3B3	8000/U	190	NATURAL	946											BR11	8000/U	130	NATURAL	3.239	
3A4	8000/U	130	NATURAL	825	3B4	8000/U	130	NATURAL	816											BR111	8000/U	130	NATURAL	3.403	
3A5	8000/U	130	NATURAL	751	3B5	8000/U	130	NATURAL	745																
3A1	8000/U	360	NATURAL	4202	3B1	8000/U	360	NATURAL	4.177	2C1	8000/U	230	NATURAL	4.889	2D1	8000/U	230	natural	5.155	brmain	TNL	400	RED	1.600	
4A1	8000/U	360	NATURAL	4151	4B1	8000/U	360	NATURAL	4.129	3C1	8000/U	230	NATURAL	4.658	3D1	8000/U	190	natural	5.041		Point a:			1.400	
4A2	8000/U	230	NATURAL	4241	4B2	8000/U	230	NATURAL	4.232	3C2	8000/U	230	NATURAL	4.738	3D2	8000/U	130	natural	4.937						
										ST1	8000/U	130	NATURAL	3.949											

LINES TECHNICAL DATA

N-GRAVITY 5

17

REF.	MAT.	kg	COLOUR	m/m	REF.	MAT.	kg	COLOUR	m/m	REF.	MAT.	kg	COLOUR	m/m	REF.	MAT.	kg	COLOUR	m/m	REF.	MAT.	kg	COLOUR	m/m	
A					B					C					D					BRAKE					
a1	8000/U	70	NATURAL	455	b1	8000/U	70	NATURAL	451	c1	8000/U	90	NATURAL	1.546	d1	8000/U	70	NATURAL	1.388	br1	8000/U	50	NATURAL	839	
a2	8000/U	70	NATURAL	411	b2	8000/U	70	NATURAL	407	c2	8000/U	90	NATURAL	1.460	d2	8000/U	70	NATURAL	1.294	br2	8000/U	50	NATURAL	669	
a3	8000/U	70	NATURAL	448	b3	8000/U	70	NATURAL	444	c3	8000/U	90	NATURAL	1.472	d3	8000/U	70	NATURAL	1.317	br3	8000/U	50	NATURAL	775	
a4	8000/U	70	NATURAL	428	b4	8000/U	70	NATURAL	425	c4	8000/U	90	NATURAL	894	d4	8000/U	70	NATURAL	772	br4	8000/U	50	NATURAL	770	
a5	8000/U	70	NATURAL	432	b5	8000/U	70	NATURAL	429	c5	8000/U	70	NATURAL	759	d5	8000/U	70	NATURAL	614	br5	8000/U	50	NATURAL	768	
a6	8000/U	70	NATURAL	439	b6	8000/U	70	NATURAL	436	c6	8000/U	70	NATURAL	757	d6	8000/U	70	NATURAL	612	br6	8000/U	50	NATURAL	623	
a7	8000/U	70	NATURAL	443	b7	8000/U	70	NATURAL	439	c7	8000/U	70	NATURAL	785	d7	8000/U	70	NATURAL	666	br7	8000/U	50	NATURAL	664	
a8	8000/U	70	NATURAL	357	b8	8000/U	70	NATURAL	354	c8	8000/U	70	NATURAL	664	d8	8000/U	70	NATURAL	603	br8	8000/U	50	NATURAL	671	
a9	8000/U	70	NATURAL	428	b9	8000/U	70	NATURAL	425	c9	8000/U	70	NATURAL	534	d9	8000/U	70	NATURAL	457	br9	8000/U	50	NATURAL	703	
a10	8000/U	70	NATURAL	409	b10	8000/U	70	NATURAL	407	c10	8000/U	70	NATURAL	549	d10	8000/U	70	NATURAL	480	br10	8000/U	50	NATURAL	593	
a11	8000/U	70	NATURAL	421	b11	8000/U	70	NATURAL	418	c11	8000/U	70	NATURAL	560	d11	8000/U	70	NATURAL	499	br11	8000/U	50	NATURAL	288	
a12	8000/U	70	NATURAL	387	b12	8000/U	70	NATURAL	384	c12	8000/U	70	NATURAL	450	d12	8000/U	70	NATURAL	497	br12	8000/U	50	NATURAL	283	
a13	8000/U	70	NATURAL	371	b13	8000/U	70	NATURAL	369	st3	8000/U	70	NATURAL	1.046	st4	8000/U	70	NATURAL	1.072						
a14	8000/U	70	NATURAL	406	b14	8000/U	70	NATURAL	404																
a15	8000/U	70	NATURAL	389	b15	8000/U	70	NATURAL	382																
a16	8000/U	70	NATURAL	304	b16	8000/U	70	NATURAL	301																
a17	8000/U	70	NATURAL	362	b17	8000/U	70	NATURAL	358																
a18	8000/U	70	NATURAL	341	b18	8000/U	70	NATURAL	338																
a19	8000/U	70	NATURAL	342	b19	8000/U	70	NATURAL	337																
a20	8000/U	70	NATURAL	303	b20	8000/U	70	NATURAL	300																
a21	8000/U	70	NATURAL	302	b21	8000/U	70	NATURAL	298																
a22	8000/U	70	NATURAL	325	b22	8000/U	70	NATURAL	315																
a23	8000/U	70	NATURAL	384	b23	8000/U	70	NATURAL	364																
st1	8000/U	70	NATURAL	1037	st2	8000/U	70	NATURAL	1.033																
2A1	8000/U	130	NATURAL	1795	2B1	8000/U	130	NATURAL	1.781	2C2	8000/U	130	NATURAL	801	2D2	8000/U	130	NATURAL	663	BR1	8000/U	70	NATURAL	1.211	
2A2	8000/U	130	NATURAL	1724	2B2	8000/U	130	NATURAL	1.710	2C3	8000/U	130	NATURAL	742	2D3	8000/U	130	NATURAL	603	BR2	8000/U	70	NATURAL	992	
2A3	8000/U	130	NATURAL	1713	2B3	8000/U	130	NATURAL	1.700	2C4	8000/U	130	NATURAL	642	2D4	8000/U	90	NATURAL	594	BR3	8000/U	70	NATURAL	1.006	
2A4	8000/U	130	NATURAL	733	2B4	8000/U	130	NATURAL	726	2C5	8000/U	90	NATURAL	554	2D5	8000/U	90	NATURAL	491	BR4	8000/U	70	NATURAL	880	
2A5	8000/U	130	NATURAL	602	2B5	8000/U	130	NATURAL	598	2C6	8000/U	90	NATURAL	1.280						BR5	8000/U	70	NATURAL	520	
2A6	8000/U	130	NATURAL	615	2B6	8000/U	130	natural	610	2C7	8000/U	90	NATURAL	1.212						BR6	8000/U	70	NATURAL	759	
2A7	8000/U	130	NATURAL	629	2B7	8000/U	130	NATURAL	624	ST1	8000/U	70	NATURAL	561											
2A8	8000/U	90	NATURAL	588	2B8	8000/U	90	NATURAL	579																
2A9	8000/U	90	NATURAL	469	2B9	8000/U	90	NATURAL	465																
2A10	8000/U	90	NATURAL	494	2B10	8000/U	90	NATURAL	489																
2A11	8000/U	90	NATURAL	480	2B11	8000/U	90	NATURAL	477																
3A2	8000/U	190	NATURAL	1043	3B2	8000/U	190	NATURAL	1.035											BRI	8000/U	130	NATURAL	3.561	
3A3	8000/U	190	NATURAL	982	3B3	8000/U	190	NATURAL	976											BRII	8000/U	130	NATURAL	3.401	
3A4	8000/U	130	NATURAL	851	3B4	8000/U	130	NATURAL	841											BRIII	8000/U	130	NATURAL	3.569	
3A5	8000/U	130	NATURAL	774	3B5	8000/U	130	NATURAL	769																
3A1	8000/U	360	NATURAL	4346	3B1	8000/U	360	NATURAL	4.320	2C1	8000/U	230	NATURAL	5.054	2D1	8000/U	230	natural	5.329	brmain	TNL	400	RED	1.600	
4A1	8000/U	360	NATURAL	4296	4B1	8000/U	360	NATURAL	4.274	3C1	8000/U	230	NATURAL	4.818	3D1	8000/U	190	natural	5.213	Point a:				1.400	
4A2	8000/U	230	NATURAL	4390	4B2	8000/U	230	NATURAL	4.381	3C2	8000/U	230	NATURAL	4.902	3D2	8000/U	130	natural	5.107						
										STI	8000/U	130	NATURAL	4.089											

LINES TECHNICAL DATA

N-GRAVITY 5										18														
REF.	MAT.	kg	COLOUR	m/m	REF.	MAT.	kg	COLOUR	m/m	REF.	MAT.	kg	COLOUR	m/m	REF.	MAT.	kg	COLOUR	m/m	REF.	MAT.	kg	COLOUR	m/m
A					B					C					D					BRAKE				
a1	8000/U	70	NATURAL	468	b1	8000/U	70	NATURAL	464	c1	8000/U	90	NATURAL	1.590	d1	8000/U	70	NATURAL	1.428	br1	8000/U	50	NATURAL	863
a2	8000/U	70	NATURAL	423	b2	8000/U	70	NATURAL	419	c2	8000/U	90	NATURAL	1.503	d2	8000/U	70	NATURAL	1.331	br2	8000/U	50	NATURAL	690
a3	8000/U	70	NATURAL	461	b3	8000/U	70	NATURAL	457	c3	8000/U	90	NATURAL	1.516	d3	8000/U	70	NATURAL	1.356	br3	8000/U	50	NATURAL	797
a4	8000/U	70	NATURAL	441	b4	8000/U	70	NATURAL	438	c4	8000/U	90	NATURAL	919	d4	8000/U	70	NATURAL	794	br4	8000/U	50	NATURAL	793
a5	8000/U	70	NATURAL	444	b5	8000/U	70	NATURAL	441	c5	8000/U	70	NATURAL	781	d5	8000/U	70	NATURAL	632	br5	8000/U	50	NATURAL	790
a6	8000/U	70	NATURAL	452	b6	8000/U	70	NATURAL	449	c6	8000/U	70	NATURAL	779	d6	8000/U	70	NATURAL	630	br6	8000/U	50	NATURAL	642
a7	8000/U	70	NATURAL	455	b7	8000/U	70	NATURAL	451	c7	8000/U	70	NATURAL	808	d7	8000/U	70	NATURAL	686	br7	8000/U	50	NATURAL	683
a8	8000/U	70	NATURAL	367	b8	8000/U	70	NATURAL	365	c8	8000/U	70	NATURAL	684	d8	8000/U	70	NATURAL	620	br8	8000/U	50	NATURAL	690
a9	8000/U	70	NATURAL	441	b9	8000/U	70	NATURAL	437	c9	8000/U	70	NATURAL	549	d9	8000/U	70	NATURAL	471	br9	8000/U	50	NATURAL	723
a10	8000/U	70	NATURAL	421	b10	8000/U	70	NATURAL	419	c10	8000/U	70	NATURAL	565	d10	8000/U	70	NATURAL	494	br10	8000/U	50	NATURAL	610
a11	8000/U	70	NATURAL	433	b11	8000/U	70	NATURAL	430	c11	8000/U	70	NATURAL	576	d11	8000/U	70	NATURAL	514	br11	8000/U	50	NATURAL	297
a12	8000/U	70	NATURAL	398	b12	8000/U	70	NATURAL	395	c12	8000/U	70	NATURAL	463	d12	8000/U	70	NATURAL	512	br12	8000/U	50	NATURAL	291
a13	8000/U	70	NATURAL	382	b13	8000/U	70	NATURAL	380	st3	8000/U	70	NATURAL	1.077	st4	8000/U	70	NATURAL	1.104					
a14	8000/U	70	NATURAL	418	b14	8000/U	70	NATURAL	415															
a15	8000/U	70	NATURAL	400	b15	8000/U	70	NATURAL	394															
a16	8000/U	70	NATURAL	313	b16	8000/U	70	NATURAL	310															
a17	8000/U	70	NATURAL	373	b17	8000/U	70	NATURAL	368															
a18	8000/U	70	NATURAL	351	b18	8000/U	70	NATURAL	348															
a19	8000/U	70	NATURAL	352	b19	8000/U	70	NATURAL	346															
a20	8000/U	70	NATURAL	312	b20	8000/U	70	NATURAL	309															
a21	8000/U	70	NATURAL	311	b21	8000/U	70	NATURAL	307															
a22	8000/U	70	NATURAL	334	b22	8000/U	70	NATURAL	324															
a23	8000/U	70	NATURAL	395	b23	8000/U	70	NATURAL	375															
st1	8000/U	70	NATURAL	1068	st2	8000/U	70	NATURAL	1.063															
2A1	8000/U	130	NATURAL	1847	2B1	8000/U	130	NATURAL	1.832	2C2	8000/U	130	NATURAL	824	2D2	8000/U	130	NATURAL	682	BR1	8000/U	70	NATURAL	1.244
2A2	8000/U	130	NATURAL	1774	2B2	8000/U	130	NATURAL	1.760	2C3	8000/U	130	NATURAL	763	2D3	8000/U	130	NATURAL	620	BR2	8000/U	70	NATURAL	1.024
2A3	8000/U	130	NATURAL	1763	2B3	8000/U	130	NATURAL	1.750	2C4	8000/U	130	NATURAL	661	2D4	8000/U	90	NATURAL	611	BR3	8000/U	70	NATURAL	1.035
2A4	8000/U	130	NATURAL	753	2B4	8000/U	130	NATURAL	747	2C5	8000/U	90	NATURAL	571	2D5	8000/U	90	NATURAL	505	BR4	8000/U	70	NATURAL	906
2A5	8000/U	130	NATURAL	620	2B5	8000/U	130	NATURAL	615	2C6	8000/U	90	NATURAL	1.317						BR5	8000/U	70	NATURAL	536
2A6	8000/U	130	NATURAL	633	2B6	8000/U	130	natural	628	2C7	8000/U	90	NATURAL	1.247						BR6	8000/U	70	NATURAL	780
2A7	8000/U	130	NATURAL	647	2B7	8000/U	130	NATURAL	643	ST1	8000/U	70	NATURAL	577										
2A8	8000/U	90	NATURAL	605	2B8	8000/U	90	NATURAL	595															
2A9	8000/U	90	NATURAL	483	2B9	8000/U	90	NATURAL	478															
2A10	8000/U	90	NATURAL	508	2B10	8000/U	90	NATURAL	504															
2A11	8000/U	90	NATURAL	495	2B11	8000/U	90	NATURAL	491															
3A2	8000/U	190	NATURAL	1073	3B2	8000/U	190	NATURAL	1.065											BRI	8000/U	130	NATURAL	3.717
3A3	8000/U	190	NATURAL	1011	3B3	8000/U	190	NATURAL	1.004											BRII	8000/U	130	NATURAL	3.558
3A4	8000/U	130	NATURAL	876	3B4	8000/U	130	NATURAL	865											BRIII	8000/U	130	NATURAL	3.729
3A5	8000/U	130	NATURAL	797	3B5	8000/U	130	NATURAL	791															
3A1	8000/U	360	NATURAL	4487	3B1	8000/U	360	NATURAL	4.460	2C1	8000/U	230	NATURAL	5.215	2D1	8000/U	230	natural	5.498	brmain	TNL	400	RED	1.600
4A1	8000/U	360	NATURAL	4436	4B1	8000/U	360	NATURAL	4.414	3C1	8000/U	230	NATURAL	4.974	3D1	8000/U	190	natural	5.381	Point a:				1.400
4A2	8000/U	230	NATURAL	4535	4B2	8000/U	230	NATURAL	4.525	3C2	8000/U	230	NATURAL	5.062	3D2	8000/U	130	natural	5.272					
										STI	8000/U	130	NATURAL	4.225										

LINES TECHNICAL DATA

N-GRAVITY 5										19														
REF.	MAT.	kg	COLOUR	m/m	REF.	MAT.	kg	COLOUR	m/m	REF.	MAT.	kg	COLOUR	m/m	REF.	MAT.	kg	COLOUR	m/m	REF.	MAT.	kg	COLOUR	m/m
A					B					C					D					BRAKE				
a1	8000/U	70	NATURAL	487	b1	8000/U	70	NATURAL	483	c1	8000/U	90	NATURAL	1.654	d1	8000/U	70	NATURAL	1.485	br1	8000/U	50	NATURAL	899
a2	8000/U	70	NATURAL	440	b2	8000/U	70	NATURAL	437	c2	8000/U	90	NATURAL	1.564	d2	8000/U	70	NATURAL	1.386	br2	8000/U	50	NATURAL	721
a3	8000/U	70	NATURAL	479	b3	8000/U	70	NATURAL	476	c3	8000/U	90	NATURAL	1.579	d3	8000/U	70	NATURAL	1.412	br3	8000/U	50	NATURAL	828
a4	8000/U	70	NATURAL	459	b4	8000/U	70	NATURAL	456	c4	8000/U	90	NATURAL	957	d4	8000/U	70	NATURAL	826	br4	8000/U	50	NATURAL	827
a5	8000/U	70	NATURAL	462	b5	8000/U	70	NATURAL	459	c5	8000/U	70	NATURAL	813	d5	8000/U	70	NATURAL	658	br5	8000/U	50	NATURAL	823
a6	8000/U	70	NATURAL	471	b6	8000/U	70	NATURAL	468	c6	8000/U	70	NATURAL	811	d6	8000/U	70	NATURAL	655	br6	8000/U	50	NATURAL	668
a7	8000/U	70	NATURAL	474	b7	8000/U	70	NATURAL	470	c7	8000/U	70	NATURAL	842	d7	8000/U	70	NATURAL	715	br7	8000/U	50	NATURAL	711
a8	8000/U	70	NATURAL	383	b8	8000/U	70	NATURAL	380	c8	8000/U	70	NATURAL	712	d8	8000/U	70	NATURAL	645	br8	8000/U	50	NATURAL	718
a9	8000/U	70	NATURAL	459	b9	8000/U	70	NATURAL	455	c9	8000/U	70	NATURAL	572	d9	8000/U	70	NATURAL	490	br9	8000/U	50	NATURAL	753
a10	8000/U	70	NATURAL	439	b10	8000/U	70	NATURAL	436	c10	8000/U	70	NATURAL	588	d10	8000/U	70	NATURAL	514	br10	8000/U	50	NATURAL	634
a11	8000/U	70	NATURAL	451	b11	8000/U	70	NATURAL	447	c11	8000/U	70	NATURAL	600	d11	8000/U	70	NATURAL	535	br11	8000/U	50	NATURAL	309
a12	8000/U	70	NATURAL	414	b12	8000/U	70	NATURAL	411	c12	8000/U	70	NATURAL	482	d12	8000/U	70	NATURAL	533	br12	8000/U	50	NATURAL	303
a13	8000/U	70	NATURAL	397	b13	8000/U	70	NATURAL	395	st3	8000/U	70	NATURAL	1.121	st4	8000/U	70	NATURAL	1.149					
a14	8000/U	70	NATURAL	435	b14	8000/U	70	NATURAL	432															
a15	8000/U	70	NATURAL	417	b15	8000/U	70	NATURAL	410															
a16	8000/U	70	NATURAL	326	b16	8000/U	70	NATURAL	323															
a17	8000/U	70	NATURAL	388	b17	8000/U	70	NATURAL	383															
a18	8000/U	70	NATURAL	365	b18	8000/U	70	NATURAL	362															
a19	8000/U	70	NATURAL	366	b19	8000/U	70	NATURAL	361															
a20	8000/U	70	NATURAL	325	b20	8000/U	70	NATURAL	322															
a21	8000/U	70	NATURAL	324	b21	8000/U	70	NATURAL	319															
a22	8000/U	70	NATURAL	348	b22	8000/U	70	NATURAL	338															
a23	8000/U	70	NATURAL	412	b23	8000/U	70	NATURAL	390															
st1	8000/U	70	NATURAL	1111	st2	8000/U	70	NATURAL	1.107															
2A1	8000/U	130	NATURAL	1922	2B1	8000/U	130	NATURAL	1.906	2C2	8000/U	130	NATURAL	858	2D2	8000/U	130	NATURAL	709	BR1	8000/U	70	NATURAL	1.293
2A2	8000/U	130	NATURAL	1846	2B2	8000/U	130	NATURAL	1.832	2C3	8000/U	130	NATURAL	795	2D3	8000/U	130	NATURAL	646	BR2	8000/U	70	NATURAL	1.071
2A3	8000/U	130	NATURAL	1837	2B3	8000/U	130	NATURAL	1.823	2C4	8000/U	130	NATURAL	688	2D4	8000/U	90	NATURAL	636	BR3	8000/U	70	NATURAL	1.077
2A4	8000/U	130	NATURAL	784	2B4	8000/U	130	NATURAL	777	2C5	8000/U	90	NATURAL	594	2D5	8000/U	90	NATURAL	526	BR4	8000/U	70	NATURAL	944
2A5	8000/U	130	NATURAL	645	2B5	8000/U	130	NATURAL	640	2C6	8000/U	90	NATURAL	1.371						BR5	8000/U	70	NATURAL	559
2A6	8000/U	130	NATURAL	659	2B6	8000/U	130	natural	654	2C7	8000/U	90	NATURAL	1.298						BR6	8000/U	70	NATURAL	810
2A7	8000/U	130	NATURAL	675	2B7	8000/U	130	NATURAL	670	ST1	8000/U	70	NATURAL	600										
2A8	8000/U	90	NATURAL	629	2B8	8000/U	90	NATURAL	619															
2A9	8000/U	90	NATURAL	503	2B9	8000/U	90	NATURAL	498															
2A10	8000/U	90	NATURAL	529	2B10	8000/U	90	NATURAL	524															
2A11	8000/U	90	NATURAL	515	2B11	8000/U	90	NATURAL	511															
3A2	8000/U	190	NATURAL	1117	3B2	8000/U	190	NATURAL	1.108											BRI	8000/U	130	NATURAL	3.943
3A3	8000/U	190	NATURAL	1053	3B3	8000/U	190	NATURAL	1.046											BRII	8000/U	130	NATURAL	3.785
3A4	8000/U	130	NATURAL	911	3B4	8000/U	130	NATURAL	901											BRIII	8000/U	130	NATURAL	3.963
3A5	8000/U	130	NATURAL	829	3B5	8000/U	130	NATURAL	823															
3A1	8000/U	360	NATURAL	4690	3B1	8000/U	360	NATURAL	4.663	2C1	8000/U	230	NATURAL	5.448	2D1	8000/U	230	natural	5.743	brmain	TNL	400	RED	1.600
4A1	8000/U	360	NATURAL	4640	4B1	8000/U	360	NATURAL	4.617	3C1	8000/U	230	NATURAL	5.200	3D1	8000/U	190	natural	5.624	Point a:				1.400
4A2	8000/U	230	NATURAL	4744	4B2	8000/U	230	NATURAL	4.735	3C2	8000/U	230	NATURAL	5.293	3D2	8000/U	130	natural	5.512					
										STI	8000/U	130	NATURAL	4.423										

LINES HEIGHT m/m

	A	B	C	D	br
1	6380	6338	6379	6492	6785
2	6337	6295	6295	6400	6619
3	6303	6262	6306	6422	6508
4	6284	6243	6292	6423	6501
5	6277	6236	6161	6270	6356
6	6283	6243	6101	6209	6215
7	6298	6259	6128	6261	6131
8	6215	6177	5995	6088	6138
9	6158	6120	5869	5947	5984
10	6139	6103	5798	5869	5879
11	6103	6067	5809	5887	5815
12	6069	6034	5557	5602	5810
13	6068	6034	5503	5528	
14	6101	6067			
15	6009	5975			
16	5927	5897			
17	5868	5841			
18	5848	5822			
19	5798	5774			
20	5760	5739			
21	5746	5725			
22	5768	5741			
23	5558	5539			
24	5494	5490			

RISERS LENGTH m/m

	A	B	C	D	
	500	500	500	500	STANDARD
	350	425	462	500	ACCELERATED

LINES HEIGHT m/m

	A	B	C	D	br
1	6592	6548	6590	6707	7006
2	6547	6504	6505	6613	6836
3	6513	6470	6517	6636	6723
4	6493	6451	6503	6638	6718
5	6486	6444	6368	6480	6570
6	6493	6452	6307	6418	6425
7	6509	6469	6335	6472	6339
8	6423	6384	6199	6294	6346
9	6364	6326	6068	6148	6187
10	6345	6308	5996	6068	6077
11	6309	6272	6006	6088	6011
12	6274	6238	5747	5793	6006
13	6273	6238	5691	5717	
14	6307	6272			
15	6213	6178			
16	6128	6097			
17	6068	6039			
18	6046	6020			
19	5995	5970			
20	5956	5934			
21	5942	5920			
22	5965	5937			
23	5749	5729			
24	5682	5678			

RISERS LENGTH m/m

	A	B	C	D	
	500	500	500	500	STANDARD
	350	425	462	500	ACCELERATED

LINES HEIGHT m/m

	A	B	C	D	br
1	6797	6752	6795	6916	7220
2	6751	6707	6708	6819	7047
3	6716	6672	6721	6844	6933
4	6697	6653	6708	6847	6930
5	6689	6646	6569	6684	6778
6	6697	6655	6507	6621	6629
7	6714	6672	6536	6677	6541
8	6626	6585	6396	6494	6548
9	6565	6526	6262	6344	6384
10	6546	6507	6187	6262	6270
11	6508	6470	6199	6282	6201
12	6473	6436	5931	5979	6195
13	6472	6436	5874	5901	
14	6507	6471			
15	6410	6374			
16	6323	6291			
17	6261	6232			
18	6239	6212			
19	6186	6161			
20	6146	6124			
21	6132	6109			
22	6155	6127			
23	5933	5913			
24	5865	5860			

RISERS LENGTH m/m

	A	B	C	D	
	500	500	500	500	STANDARD
	350	425	462	500	ACCELERATED

LINES HEIGHT m/m

	A	B	C	D	br
1	7094	7047	7092	7218	7530
2	7047	7001	7002	7119	7352
3	7011	6965	7017	7145	7237
4	6991	6946	7004	7149	7236
5	6984	6939	6861	6981	7080
6	6992	6948	6796	6915	6925
7	7010	6967	6827	6974	6834
8	6919	6877	6682	6784	6842
9	6856	6816	6543	6628	6669
10	6837	6796	6465	6543	6550
11	6798	6758	6477	6564	6477
12	6761	6723	6198	6249	6471
13	6760	6723	6139	6167	
14	6797	6760			
15	6697	6659			
16	6606	6572			
17	6541	6511			
18	6519	6490			
19	6464	6438			
20	6422	6399			
21	6407	6383			
22	6432	6402			
23	6201	6179			
24	6129	6125			

RISERS LENGTH m/m

	A	B	C	D	
	500	500	500	500	STANDARD
	350	425	462	500	ACCELERATED

SUSPENSION TECHNICAL DATA

N-GRAVITY 5

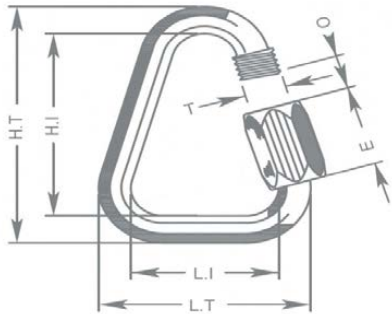
MATERIAL CODE		A-8000/U	A-8000/U	8000/U	A-8000/U	A-8000/U	A-8000/U	A-8000/U	TNL
STRENGTH CODE		050	070	90	130	190	230	360	400
DIAMETER m/m	Ø	0,5	0,7	0,8	0,9	1,1	1,1 X 1,4	1,4 X 1,9	2,3
CORE MATERIAL		ARAMID	ARAMID	ARAMID	ARAMID	ARAMID	ARAMID	ARAMID	TECHNORA
SLEEVE MATERIAL		NO	NO	NO	NO	NO	NO	NO	POLYESTER
WEIGHT g/m	TOTAL	0,3	0,4	0,5	0,8	1,1	1,4	2,1	4
BREAKING STRENGTH	MINIMUM	50	70	90	130	190	230	360	460
	MAXIMUM	59	78	110	144	211	255	380	470
STRENGTH AFTER									
5.000 BENDING CYCLES	TEST EN	26	39	49	88	52	69	196,6	160,1
ELONGATION AT	5 dan en %	0,4	0,5	0,4	0,4	0,4	0,3	0,2	0,05
	10 dan en %	0,7	0,7	0,6	0,6	0,6	0,5	0,3	0,1
	15 dan en %	1,1	1	0,8	0,8	0,7	0,6	0,4	0,2
	20 dan en %	1,5	1,3	1	0,9	0,9	0,7	0,5	0,2
	25 dan en %	1,9	1,5	1,3	1	1	0,8	0,6	0,3
	30 dan en %	3,3	2,8	2,3	1,8	1,6	1,3		0,6
	75 dan en %		3,7	3,2	3,1	2,7	2,3	1,5	0,8
	100 dan en %					2,6	3,6	1,9	1,1
	125 dan en %					3,5	3,3		1,4
	150 dan en %					4,3	3,6	2,6	1,7
	175 dan en %								2
	200 dan en %							3,1	2,2
	250 dan en %							3,6	
ELONGATION MAX. BREAKING STRENGTH %		3,8	3,9	4,3	4	4,4	4,4		4,6

MAILLON TECHNICAL DATA

DESCRIPTION

MAILLON	DELTA
CODE	MRI4
MATERIAL	STAINLESS STEEL
SIZE	4,3 m/m
WEIGHT	12 g/piece

TECHNICAL SPECIFICATIONS



DIMENSIONS	m/m
L.T.	28
L.I.	20
H.T.	38
H.I.	30
O	4
E	11
T	4
LOAD	kg
WORKING LIMIT	150
BREAKING	750

MATERIAL

AISI 304 STAINLESS STEEL	STANDARD
--------------------------	----------

CLOSING APPLIED BY MANUAL & ENTIRE SCREWING OF THE NUT TO GUARANTEE THE HIGHEST SAFETY (NO THREAD SHOULD BE OBVIOUS)

SYSTEMATIC CONTROL OF MAILLON QUICK-LINKS BEFORE EVERY FLIGHT

THREAD TECHNICAL DATA**SAIL MAKING**

NAME	SERAFIL
N° OF REFERENCE	60
MATERIAL	POLYESTER
TYPE OF FINISH	SILK
LINEAR DENSITY	NM 61 / 3 (DTEX 163 * 3)
BREAKING STRENGTH	3,000 CN
ELONGATION	17,00%

SERAFIL PROPERTIES

SOLIDITY ARTIFICIAL LIGTH	ISO 105 B02 > 5 - 6
SOLIDITY SWEAT	ISO 105 E04 > 4
SOLIDITY WASHING	ISO 105 C04 > 3
SOLIDITY GRAZE IN DRY	ISO 105 X12 > 4
SOLIDITY WASHING IN DRY	ISO 105 D01 > 3 - 4

TREATMENT WATER REPELLENT	WR
---------------------------	----

RISERS MAKING

NAME	COATS BONDED C.F.P.
N° OF REFERENCE	V138
MATERIAL	POLYESTER
TYPE OF FINISH	SILK
BREAKING STRENGTH	9,5 kg
ELONGATION	19%

RISERS TECHNICAL DATA**RISERS**

N° OF REFERENCE	G-R 22
MATERIAL	POLYESTER
WIDTH	22 m/m
THICKNESS	1,52 m/m
BREAKING STRENGTH	1,100 DAN
ELONGATION	MAX. 15%
WEIGHT	25 g* L.M.
COLOUR	BLACK

COLOUR INDICATOR

N° OF REFERENCE	IC-G 1-2
MATERIAL	POLYESTER
WIDTH	70 m/m
THICKNESS	0,80 m/m
BREAKING STRENGTH	130 DN
ELONGATION	35 %
WEIGHT	32 g* L.M.
COLOUR	GREEN

LOOPS

N° OF REFERENCE	LKI - 10
MATERIAL	NYLON
WIDTH	10 m/m
BREAKING STRENGTH	84 kg
ELONGATION	30 %
WEIGHT	5,5 g/m
COLOUR	WHITE

