



— ICEPEAK EVOX —

Technical specifications

TECHNICAL DATA

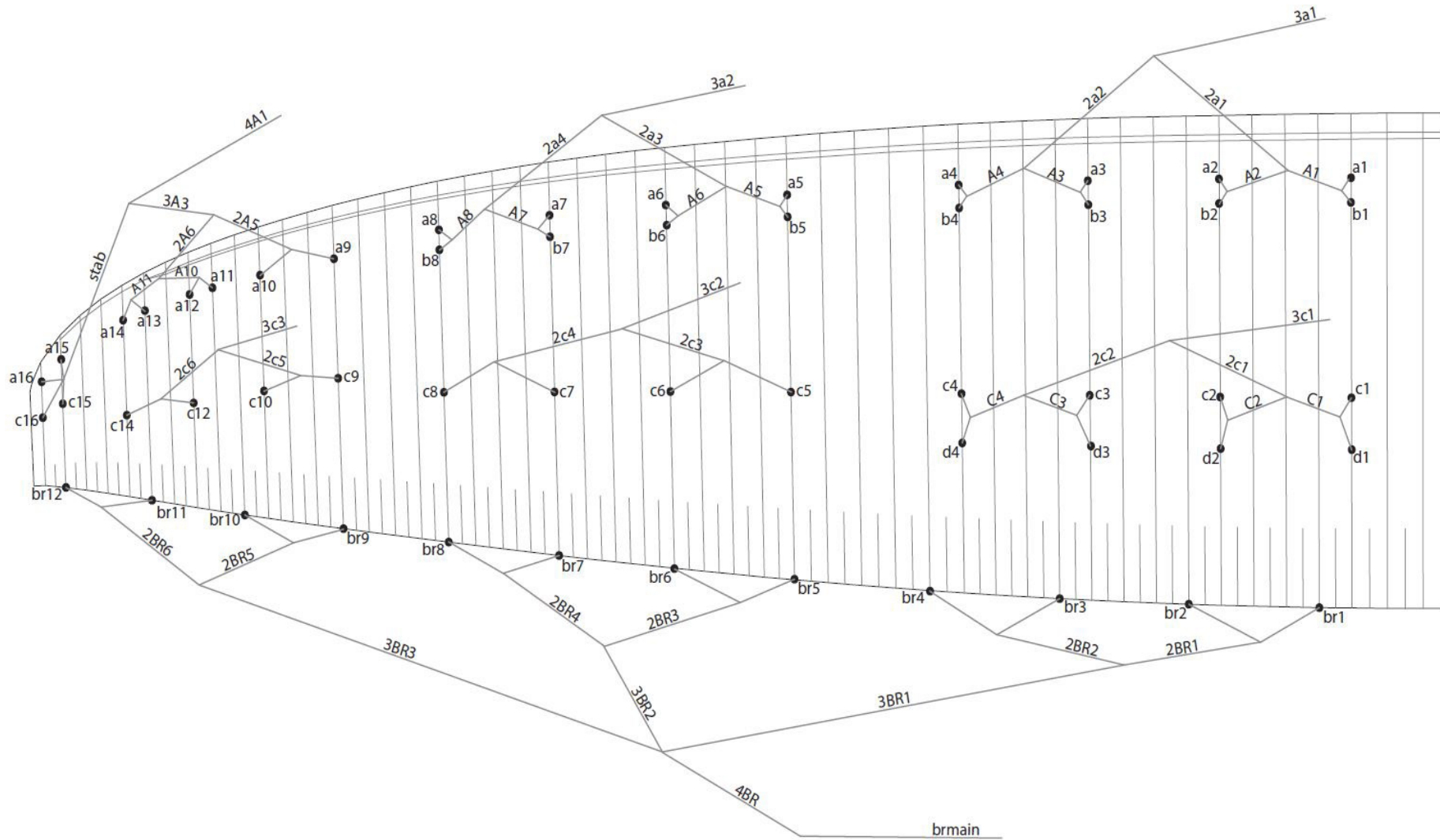
ICEPEAK EVOX			20	22	24	25	26	27
CELLS	NUMBER		99	99	99	99	99	99
ASPECT RATIO	FLAT		7,6	7,6	7,6	7,6	7,6	7,6
AREA	FLAT	m2	20	22	23,5	25	26,5	27,5
	PROJECTED	m2	17,04	18,74	20,02	21,3	22,58	23,43
CORD	MAXIMUM	m	2,01	2,11	2,18	2,25	2,32	2,36
LINES	TOTAL	m	193	203	210	217	224	228
	MAIN		2/1/3	2/1/3	2/1/3	2/1/3	2/1/3	2/1/3
RISERS	NUMBER	2+1	A/A/B	A/A/B	A/A/B	A/A/B	A/A/B	A/A/B
	ACCELERATOR	mm	140	140	140	140	140	140
TOTAL WEIGHT IN FLIGHT	MIN - MAX	kg	80 - 95	90 - 105	100 - 110	107 - 117	113 - 128	125 - 134
OPTIMAL WEIGHT IN FLIGHT	MIN - MAX	kg	88	97 - 100	106 - 108	114 - 116	123 - 125	132
GLIDER WEIGHT		kg	5,4	5,8	6,1	6,4	6,7	6,9
CERTIFICATION			CCC	CCC	CCC	CCC	CCC	CCC

MATERIALS TECHNICAL DATA

CANOPY	FABRIC CODE	SUPPLIER
UPPER SURFACE	9017 E25/70032 E3W	PORCHER IND (FRANCE)
BOTTOM SURFACE	70000 E3H	PORCHER IND (FRANCE)
PROFILES	9017 E29	PORCHER IND (FRANCE)
DIAGONALS	9017 E29	PORCHER IND (FRANCE)
LOOPS	LKI - 10	KOLON IND. (KOREA)
REINFORCEMENT LOOPS	W-420 / RIPSTOP	D-P (GERMANY)
TRAILING EDGE REINFORCEMENT	MYLAR	D-P (GERMANY)
RIBS REINFORCEMENT	LTN-0.8/1 STICK	SPORTWARE CO.CHINA
THREAD	SERAFIL 60	AMAN (GERMANY)

SUSPENSION LINES	FABRIC CODE	SUPPLIER
UPPER CASCADES	DC - 60	LIROS GMHB (GERMANY)
UPPER CASCADES	DC - 40	LIROS GMHB (GERMANY)
UPPER CASCADES	DC - 35	LIROS GMHB (GERMANY)
UPPER CASCADES	A-8000/U 50	EDELRID (GERMANY)
MIDDLE CASCADES	DC - 35	LIROS GMHB (GERMANY)
MIDDLE CASCADES	DC - 40	LIROS GMHB (GERMANY)
MIDDLE CASCADES	A-8000/U 50	EDELRID (GERMANY)
MIDDLE CASCADES	A-8000/U 70	EDELRID (GERMANY)
MIDDLE CASCADES	A-8000/U 90	EDELRID (GERMANY)
MIDDLE CASCADES	A-8000/U 190	EDELRID (GERMANY)
MAIN	A-8000/U 70	EDELRID (GERMANY)
MAIN	A-8000/U 130	EDELRID (GERMANY)
MAIN	A-8000/U 190	EDELRID (GERMANY)
MAIN	A-8000/U 360	EDELRID (GERMANY)
MAIN	A-8000/U 470	EDELRID (GERMANY)
MAIN BREAK	PPSL - 200	LIROS GMHB (GERMANY)
THREAD	SERAFIL 60	AMAN (GERMANY)

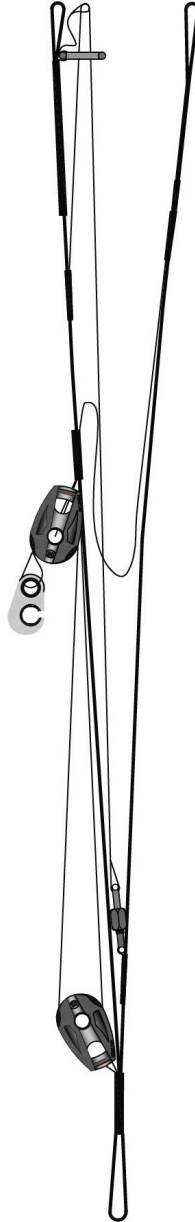
RISERS	FABRIC CODE	SUPPLIER
MATERIAL	3455	COUSIN (FRANCE)
COLOR INDICATOR	210D	TECNI SANGLES (FRANCE)
THREAD	V138	COATS (ENGLAND)
MAILLONS	3.5	ANSUNG PRECISION (KOREA)
PULLEYS	RF25109	RONSTAN (AUSTRALIA)



A
3a1
3a2

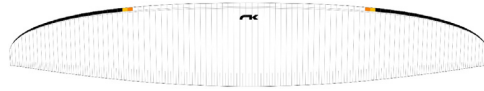
A'
4A1

B
3c1
3c2
3c3



COLORS TECHNICAL DATA

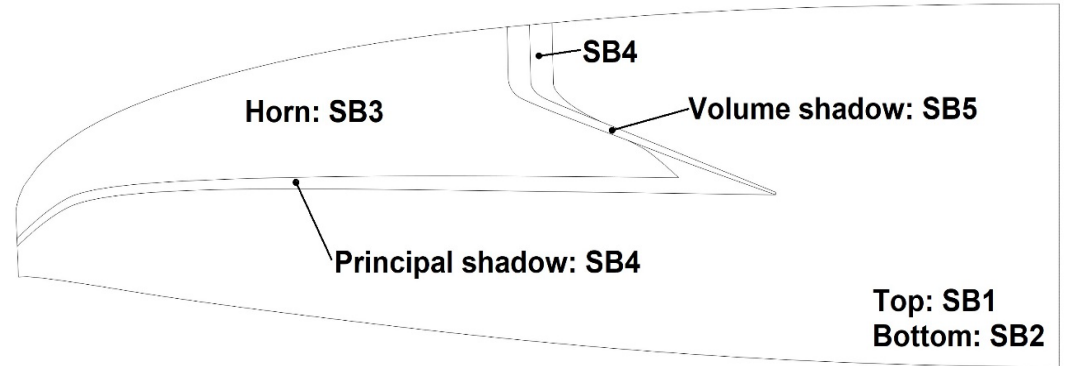
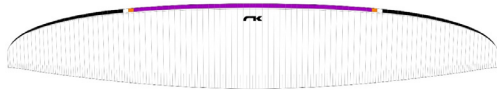
BEAM	SB1	WHITE	TOP	REF: 001
	SB2	WHITE	BOTTOM	REF: 001
	SB3	BLACK	HORN	REF: 102
	SB4	ORANGE	PRINCIPAL SHADOW	REF: 744
	SB5	GOLD	VOLUME SHADOW	REF: 939



NEON	SB1	ROYAL BLUE	TOP	REF: 317
	SB2	WHITE	BOTTOM	REF: 001
	SB3	DRAGON RED	HORN	REF: 636
	SB4	BLACK	PRINCIPAL SHADOW	REF: 102
	SB5	WHITE	VOLUME SHADOW	REF: 001



NITRO	SB1	PURPLE	TOP	REF: 240
	SB2	WHITE	BOTTOM	REF: 001
	SB3	BLACK	HORN	REF: 102
	SB4	ORANGE	PRINCIPAL SHADOW	REF: 744
	SB5	WHITE	VOLUME SHADOW	REF: 001



WING LOAD TECHNICAL DATA

ICEPEAK EVOX

20		22		24		25		26		27	
P.T.V.	KG/M2	P.T.V.	KG/M2	P.T.V.	KG/M2	P.T.V.	KG/M2	P.T.V.	KG/M2	P.T.V.	KG/M2
80	= 4,00	90	= 4,09	100	= 4,26	107	= 4,28	113	= 4,26	125	= 4,55
81	= 4,05	91	= 4,14	101	= 4,30	108	= 4,32	114	= 4,30	126	= 4,58
82	= 4,10	92	= 4,18	102	= 4,34	109	= 4,36	115	= 4,34	127	= 4,62
83	= 4,15	93	= 4,23	103	= 4,38	110	= 4,40	116	= 4,38	128	= 4,65
84	= 4,20	94	= 4,27	104	= 4,43	111	= 4,44	117	= 4,42	129	= 4,69
85	= 4,25	95	= 4,32	105	= 4,47	112	= 4,48	118	= 4,45	130	= 4,73
86	= 4,30	96	= 4,36	106	= 4,51	113	= 4,52	119	= 4,49	131	= 4,76
87	= 4,35	97	= 4,41	107	= 4,55	114	= 4,56	120	= 4,53	132	= 4,80
88	= 4,40	98	= 4,45	108	= 4,60	115	= 4,60	121	= 4,57	133	= 4,84
89	= 4,45	99	= 4,50	109	= 4,64	116	= 4,64	122	= 4,60	134	= 4,87
90	= 4,50	100	= 4,55	110	= 4,68	117	= 4,68	123	= 4,64		
91	= 4,55	101	= 4,59					124	= 4,68		
92	= 4,60	102	= 4,64					125	= 4,72		
93	= 4,65	103	= 4,68					126	= 4,75		
94	= 4,70	104	= 4,73					127	= 4,79		
95	= 4,75	105	= 4,77					128	= 4,83		

LINES TECHNICAL DATA

ICEPEAK EVOX

20

REF.	MAT.	kg	COLOR	mm	REF.	MAT.	kg	COLOR	mm	REF.	MAT.	kg	COLOR	mm	REF.	MAT.	kg	COLOR	mm	REF.	MAT.	kg	COLOR	mm
A					B					C					D					BRAKE				
A1	DC	60	WHT	224	B1	DC	40	WHT	216	C1	DC	40	WHT	429	D1	DC	35	WHT	530	BR1	DC	35	WHT	880
A2	DC	60	WHT	222	B2	DC	40	WHT	212	C2	DC	40	WHT	422	D2	DC	35	WHT	525	BR2	DC	35	WHT	580
A3	DC	60	WHT	218	B3	DC	40	WHT	208	C3	DC	40	WHT	415	D3	DC	35	WHT	517	BR3	DC	35	WHT	799
A4	DC	60	WHT	212	B4	DC	40	WHT	205	C4	DC	40	WHT	409	D4	DC	35	WHT	505	BR4	DC	35	WHT	853
A5	DC	60	WHT	210	B5	DC	40	WHT	199	C5	8000/U	50	NATURAL	997						BR5	DC	35	WHT	818
A6	DC	60	WHT	207	B6	DC	40	WHT	195	C6	8000/U	50	NATURAL	843						BR6	DC	35	WHT	616
A7	DC	60	WHT	209	B7	DC	40	WHT	197	C7	8000/U	50	NATURAL	839						BR7	DC	35	WHT	670
A8	DC	60	WHT	203	B8	DC	40	WHT	196	C8	8000/U	50	NATURAL	873						BR8	DC	35	WHT	737
A9	DC	40	WHT	725						C9	DC	35	WHT	646						BR9	DC	35	WHT	675
A10	DC	40	WHT	601						C10	DC	35	WHT	534						BR10	DC	35	WHT	562
A11	DC	35	WHT	227						C12	DC	35	WHT	533						BR11	DC	35	WHT	480
A12	DC	35	WHT	199						C14	DC	35	WHT	555						BR12	DC	35	WHT	590
A13	DC	35	WHT	204						C15	DC	35	WHT	572										
A14	DC	35	WHT	224						C16	DC	35	WHT	586										
A15	DC	35	WHT	561																				
A16	DC	35	WHT	559																				
A1	8000/U	90	NATURAL	1091						C1	8000/U	50	NATURAL	679						2BR1	DC	35	WHT	941
A2	8000/U	90	NATURAL	982						C2	8000/U	50	NATURAL	552						2BR2	DC	35	WHT	603
A3	8000/U	90	NATURAL	989						C3	8000/U	50	NATURAL	563						2BR3	DC	35	WHT	801
A4	8000/U	90	NATURAL	1033						C4	8000/U	50	NATURAL	636						2BR4	DC	35	WHT	665
A5	8000/U	90	NATURAL	996																2BR5	DC	35	WHT	692
A6	8000/U	90	NATURAL	849																2BR6	DC	35	WHT	750
A7	8000/U	90	NATURAL	846																				
A8	8000/U	90	NATURAL	833																				
A10	DC	40	WHT	400																				
A11	DC	40	WHT	386																				
2A1	8000/U	190	NATURAL	1226						2C1	8000/U	90	NATURAL	1006						3BR1	8000/U	50	NATURAL	3413
2A2	8000/U	190	NATURAL	1192						2C2	8000/U	90	NATURAL	975						3BR2	8000/U	50	NATURAL	3049
2A3	8000/U	190	NATURAL	1098						2C3	8000/U	90	NATURAL	890						3BR3	8000/U	50	NATURAL	2905
2A4	8000/U	190	NATURAL	1012						2C4	8000/U	90	NATURAL	821						4BR	8000/U	90	NATURAL	1325
2A5	8000/U	70	NATURAL	656						2C5	8000/U	50	NATURAL	578										
2A6	8000/U	70	NATURAL	581						2C6	8000/U	50	NATURAL	524										
3A3	8000/U	90	NATURAL	1963																				
STAB	8000/U	50	NATURAL	2479																				
3A1	8000/U	360	NATURAL	4562						3C1	8000/U	190	NATURAL	5008						BRMAIN	PPSL	200	RED	1520
3A2	8000/U	360	NATURAL	4589						3C2	8000/U	190	NATURAL	5013										KNOT POINT: 1320
4A1	8000/U	130	NATURAL	3127						3C3	8000/U	70	NATURAL	5262										



LINES TECHNICAL DATA

ICEPEAK EVOX

22

REF.	MAT.	kg	COLOR	mm	REF.	MAT.	kg	COLOR	mm	REF.	MAT.	kg	COLOR	mm	REF.	MAT.	kg	COLOR	mm	REF.	MAT.	kg	COLOR	mm
A					B					C					D					BRAKE				
a1	DC	60	WHT	242	b1	DC	40	WHT	228	c1	DC	40	WHT	450	d1	DC	35	WHT	555	br1	DC	35	WHT	924
a2	DC	60	WHT	240	b2	DC	40	WHT	223	c2	DC	40	WHT	442	d2	DC	35	WHT	549	br2	DC	35	WHT	609
a3	DC	60	WHT	236	b3	DC	40	WHT	219	c3	DC	40	WHT	435	d3	DC	35	WHT	540	br3	DC	35	WHT	837
a4	DC	60	WHT	229	b4	DC	40	WHT	215	c4	DC	40	WHT	429	d4	DC	35	WHT	528	br4	DC	35	WHT	894
a5	DC	60	WHT	226	b5	DC	40	WHT	210	c5	8000/U	50	NATURAL	1045						br5	DC	35	WHT	858
a6	DC	60	WHT	223	b6	DC	40	WHT	206	c6	8000/U	50	NATURAL	884						br6	DC	35	WHT	647
a7	DC	60	WHT	224	b7	DC	40	WHT	207	c7	8000/U	50	NATURAL	880						br7	DC	35	WHT	702
a8	DC	60	WHT	218	b8	DC	40	WHT	206	c8	8000/U	50	NATURAL	917						br8	DC	35	WHT	773
a9	DC	40	WHT	761						c9	DC	35	WHT	677						br9	DC	35	WHT	708
a10	DC	40	WHT	630						c10	DC	35	WHT	560						br10	DC	35	WHT	590
a11	DC	35	WHT	238						c12	DC	35	WHT	559						br11	DC	35	WHT	503
a12	DC	35	WHT	209						c14	DC	35	WHT	582						br12	DC	35	WHT	619
a13	DC	35	WHT	213						c15	DC	35	WHT	600										
a14	DC	35	WHT	235						c16	DC	35	WHT	615										
a15	DC	35	WHT	589																				
a16	DC	35	WHT	587																				
A1	8000/U	90	NATURAL	1143						C1	8000/U	50	NATURAL	711						2BR1	DC	35	WHT	986
A2	8000/U	90	NATURAL	1030						C2	8000/U	50	NATURAL	579						2BR2	DC	35	WHT	634
A3	8000/U	90	NATURAL	1038						C3	8000/U	50	NATURAL	590						2BR3	DC	35	WHT	839
A4	8000/U	90	NATURAL	1086						C4	8000/U	50	NATURAL	669						2BR4	DC	35	WHT	699
A5	8000/U	90	NATURAL	1044																2BR5	DC	35	WHT	725
A6	8000/U	90	NATURAL	891																2BR6	DC	35	WHT	788
A7	8000/U	90	NATURAL	888																				
A8	8000/U	90	NATURAL	875																				
A10	DC	40	WHT	419																				
A11	DC	40	WHT	405																				
2A1	8000/U	190	NATURAL	1287						2C1	8000/U	90	NATURAL	1054						3BR1	8000/U	50	NATURAL	3577
2A2	8000/U	190	NATURAL	1253						2C2	8000/U	90	NATURAL	1023						3BR2	8000/U	50	NATURAL	3199
2A3	8000/U	190	NATURAL	1152						2C3	8000/U	90	NATURAL	933						3BR3	8000/U	50	NATURAL	3051
2A4	8000/U	190	NATURAL	1063						2C4	8000/U	90	NATURAL	862						4BR	8000/U	90	NATURAL	1482
2A5	8000/U	70	NATURAL	688						2c5	8000/U	50	NATURAL	606										
2A6	8000/U	70	NATURAL	610						2C6	8000/U	50	NATURAL	549										
3A3	8000/U	90	NATURAL	2075																				
STAB	8000/U	50	NATURAL	2615																				
3A1	8000/U	360	NATURAL	4808						3C1	8000/U	190	NATURAL	5269						brmain	PPSL	200	Red	1500
3A2	8000/U	360	NATURAL	4841						3C2	8000/U	190	NATURAL	5278										knot point: 1300
4A1	8000/U	130	NATURAL	3296						3C3	8000/U	70	NATURAL	5541										



LINES TECHNICAL DATA

ICEPEAK EVOX

24

REF.	MAT.	kg	COLOR	mm	REF.	MAT.	kg	COLOR	mm	REF.	MAT.	kg	COLOR	mm	REF.	MAT.	kg	COLOR	mm	REF.	MAT.	kg	COLOR	mm
A					B					C					D					BRAKE				
a1	DC	60	WHT	250	b1	DC	40	WHT	236	c1	DC	40	WHT	465	d1	DC	35	WHT	572	br1	DC	35	WHT	955
a2	DC	60	WHT	248	b2	DC	40	WHT	231	c2	DC	40	WHT	457	d2	DC	35	WHT	566	br2	DC	35	WHT	630
a3	DC	60	WHT	244	b3	DC	40	WHT	227	c3	DC	40	WHT	450	d3	DC	35	WHT	557	br3	DC	35	WHT	865
a4	DC	60	WHT	237	b4	DC	40	WHT	223	c4	DC	40	WHT	443	d4	DC	35	WHT	545	br4	DC	35	WHT	925
a5	DC	60	WHT	233	b5	DC	40	WHT	217	c5	8000/U	50	NATURAL	1080						br5	DC	35	WHT	887
a6	DC	60	WHT	230	b6	DC	40	WHT	213	c6	8000/U	50	NATURAL	914						br6	DC	35	WHT	670
a7	DC	60	WHT	232	b7	DC	40	WHT	215	c7	8000/U	50	NATURAL	910						br7	DC	35	WHT	726
a8	DC	60	WHT	225	b8	DC	40	WHT	214	c8	8000/U	50	NATURAL	948						br8	DC	35	WHT	800
a9	DC	40	WHT	786						c9	DC	35	WHT	700						br9	DC	35	WHT	732
a10	DC	40	WHT	651						c10	DC	35	WHT	578						br10	DC	35	WHT	610
a11	DC	35	WHT	246						c12	DC	35	WHT	578						br11	DC	35	WHT	520
a12	DC	35	WHT	216						c14	DC	35	WHT	602						br12	DC	35	WHT	640
a13	DC	35	WHT	221						c15	DC	35	WHT	620										
a14	DC	35	WHT	243						c16	DC	35	WHT	635										
a15	DC	35	WHT	608																				
a16	DC	35	WHT	606																				
A1	8000/U	90	NATURAL	1181						C1	8000/U	50	NATURAL	734						2BR1	DC	35	WHT	1.018
A2	8000/U	90	NATURAL	1065						C2	8000/U	50	NATURAL	599						2BR2	DC	35	WHT	656
A3	8000/U	90	NATURAL	1073						C3	8000/U	50	NATURAL	610						2BR3	DC	35	WHT	867
A4	8000/U	90	NATURAL	1123						C4	8000/U	50	NATURAL	692						2BR4	DC	35	WHT	724
A5	8000/U	90	NATURAL	1078																2BR5	DC	35	WHT	749
A6	8000/U	90	NATURAL	921																2BR6	DC	35	WHT	815
A7	8000/U	90	NATURAL	918																				
A8	8000/U	90	NATURAL	906																				
A10	DC	40	WHT	434																				
A11	DC	40	WHT	419																				
2A1	8000/U	190	NATURAL	1330						2C1	8000/U	90	NATURAL	1089						3BR1	8000/U	50	NATURAL	3696
2A2	8000/U	190	NATURAL	1296						2C2	8000/U	90	NATURAL	1058						3BR2	8000/U	50	NATURAL	3307
2A3	8000/U	190	NATURAL	1192						2C3	8000/U	90	NATURAL	965						3BR3	8000/U	50	NATURAL	3157
2A4	8000/U	190	NATURAL	1099						2C4	8000/U	90	NATURAL	891						4BR	8000/U	90	NATURAL	1595
2A5	8000/U	70	NATURAL	711						2c5	8000/U	50	NATURAL	627										
2A6	8000/U	70	NATURAL	630						2C6	8000/U	50	NATURAL	568										
3A3	8000/U	90	NATURAL	2155																				
STAB	8000/U	50	NATURAL	2714																				
3A1	8000/U	360	NATURAL	4985						3C1	8000/U	190	NATURAL	5462						brmain	PPSL	200	Red	1500
3A2	8000/U	360	NATURAL	5023						3C2	8000/U	190	NATURAL	5475										knot point: 1300
4A1	8000/U	130	NATURAL	3417						3C3	8000/U	70	NATURAL	5748										



LINES TECHNICAL DATA

ICEPEAK EVOX

25


REF.	MAT.	kg	COLOR	mm	REF.	MAT.	kg	COLOR	mm	REF.	MAT.	kg	COLOR	mm	REF.	MAT.	kg	COLOR	mm	REF.	MAT.	kg	COLOR	mm
A					B					C					D					BRAKE				
a1	DC	60	WHT	258	b1	DC	40	WHT	244	c1	DC	40	WHT	479	d1	DC	35	WHT	589	br1	DC	35	WHT	985
a2	DC	60	WHT	256	b2	DC	40	WHT	239	c2	DC	40	WHT	472	d2	DC	35	WHT	583	br2	DC	35	WHT	650
a3	DC	60	WHT	252	b3	DC	40	WHT	235	c3	DC	40	WHT	464	d3	DC	35	WHT	574	br3	DC	35	WHT	892
a4	DC	60	WHT	244	b4	DC	40	WHT	231	c4	DC	40	WHT	457	d4	DC	35	WHT	561	br4	DC	35	WHT	954
a5	DC	60	WHT	241	b5	DC	40	WHT	225	c5	8000/U	50	NATURAL	1113						br5	DC	35	WHT	915
a6	DC	60	WHT	237	b6	DC	40	WHT	220	c6	8000/U	50	NATURAL	943						br6	DC	35	WHT	691
a7	DC	60	WHT	239	b7	DC	40	WHT	222	c7	8000/U	50	NATURAL	938						br7	DC	35	WHT	748
a8	DC	60	WHT	232	b8	DC	40	WHT	221	c8	8000/U	50	NATURAL	978						br8	DC	35	WHT	825
a9	DC	40	WHT	811						c9	DC	35	WHT	722						br9	DC	35	WHT	755
a10	DC	40	WHT	672						c10	DC	35	WHT	597						br10	DC	35	WHT	629
a11	DC	35	WHT	254						c12	DC	35	WHT	596						br11	DC	35	WHT	536
a12	DC	35	WHT	223						c14	DC	35	WHT	620						br12	DC	35	WHT	660
a13	DC	35	WHT	227						c15	DC	35	WHT	640										
a14	DC	35	WHT	251						c16	DC	35	WHT	655										
a15	DC	35	WHT	628																				
a16	DC	35	WHT	625																				
A1	8000/U	90	NATURAL	1217						C1	8000/U	50	NATURAL	756						2BR1	DC	35	WHT	1.049
A2	8000/U	90	NATURAL	1099						C2	8000/U	50	NATURAL	618						2BR2	DC	35	WHT	677
A3	8000/U	90	NATURAL	1108						C3	8000/U	50	NATURAL	629						2BR3	DC	35	WHT	893
A4	8000/U	90	NATURAL	1160						C4	8000/U	50	NATURAL	715						2BR4	DC	35	WHT	747
A5	8000/U	90	NATURAL	1112																2BR5	DC	35	WHT	772
A6	8000/U	90	NATURAL	950																2BR6	DC	35	WHT	841
A7	8000/U	90	NATURAL	947																				
A8	8000/U	90	NATURAL	935																				
A10	DC	40	WHT	447																				
A11	DC	40	WHT	432																				
2A1	8000/U	190	NATURAL	1372						2C1	8000/U	90	NATURAL	1123						3BR1	8000/U	50	NATURAL	3810
2A2	8000/U	190	NATURAL	1338						2C2	8000/U	90	NATURAL	1092						3BR2	8000/U	50	NATURAL	3412
2A3	8000/U	190	NATURAL	1229						2C3	8000/U	90	NATURAL	995						3BR3	8000/U	50	NATURAL	3259
2A4	8000/U	190	NATURAL	1135						2C4	8000/U	90	NATURAL	920						4BR	8000/U	90	NATURAL	1705
2A5	8000/U	70	NATURAL	733						2C5	8000/U	50	NATURAL	646										
2A6	8000/U	70	NATURAL	650						2C6	8000/U	50	NATURAL	585										
3A3	8000/U	90	NATURAL	2233																				
STAB	8000/U	50	NATURAL	2809																				
3A1	8000/U	360	NATURAL	5157						3C1	8000/U	190	NATURAL	5650						BRMAIN	PPSL	200	RED	1500
3A2	8000/U	360	NATURAL	5199						3C2	8000/U	190	NATURAL	5666										KNOT POINT: 1300
4A1	8000/U	130	NATURAL	3534						3C3	8000/U	70	NATURAL	5948										



LINES TECHNICAL DATA

ICEPEAK EVOX

26

REF.	MAT.	kg	COLOR	mm	REF.	MAT.	kg	COLOR	mm	REF.	MAT.	kg	COLOR	mm	REF.	MAT.	kg	COLOR	mm	REF.	MAT.	kg	COLOR	mm
A					B					C					D					BRAKE				
a1	DC	60	WHT	265	b1	DC	60	WHT	251	c1	DC	60	WHT	493	d1	DC	35	WHT	606	br1	DC	35	WHT	1014
a2	DC	60	WHT	263	b2	DC	60	WHT	246	c2	DC	60	WHT	485	d2	DC	35	WHT	600	br2	DC	35	WHT	670
a3	DC	60	WHT	259	b3	DC	60	WHT	242	c3	DC	60	WHT	477	d3	DC	35	WHT	590	br3	DC	35	WHT	918
a4	DC	60	WHT	251	b4	DC	60	WHT	238	c4	DC	60	WHT	470	d4	DC	35	WHT	576	br4	DC	35	WHT	982
a5	DC	60	WHT	248	b5	DC	40	WHT	232	c5	8000/U	70	NATURAL	1146						br5	DC	35	WHT	942
a6	DC	60	WHT	244	b6	DC	40	WHT	227	c6	8000/U	70	NATURAL	971						br6	DC	35	WHT	712
a7	DC	60	WHT	246	b7	DC	40	WHT	229	c7	8000/U	70	NATURAL	966						br7	DC	35	WHT	770
a8	DC	60	WHT	239	b8	DC	40	WHT	228	c8	8000/U	70	NATURAL	1008						br8	DC	35	WHT	849
a9	DC	40	WHT	835						c9	DC	40	WHT	743						br9	DC	35	WHT	777
a10	DC	40	WHT	692						c10	DC	40	WHT	614						br10	DC	35	WHT	648
a11	DC	35	WHT	261						c12	DC	40	WHT	614						br11	DC	35	WHT	551
a12	DC	35	WHT	229						c14	DC	40	WHT	639						br12	DC	35	WHT	679
a13	DC	35	WHT	234						c15	DC	40	WHT	659										
a14	DC	35	WHT	258						c16	DC	40	WHT	675										
a15	DC	35	WHT	646																				
a16	DC	35	WHT	644																				
A1	8000/U	130	NATURAL	1253						C1	8000/U	90	NATURAL	778						2BR1	DC	35	WHT	1.079
A2	8000/U	130	NATURAL	1132						C2	8000/U	90	NATURAL	636						2BR2	DC	35	WHT	698
A3	8000/U	130	NATURAL	1141						C3	8000/U	90	NATURAL	648						2BR3	DC	35	WHT	919
A4	8000/U	130	NATURAL	1195						C4	8000/U	90	NATURAL	737						2BR4	DC	35	WHT	770
A5	8000/U	90	NATURAL	1144																2BR5	DC	35	WHT	795
A6	8000/U	90	NATURAL	978																2BR6	DC	35	WHT	867
A7	8000/U	90	NATURAL	975																				
A8	8000/U	90	NATURAL	964																				
A10	DC	40	WHT	460																				
A11	DC	40	WHT	445																				
2A1	8000/U	230	NATURAL	1413						2C1	8000/U	130	NATURAL	1156						3BR1	8000/U	50	NATURAL	3922
2A2	8000/U	230	NATURAL	1379						2C2	8000/U	130	NATURAL	1125						3BR2	8000/U	50	NATURAL	3514
2A3	8000/U	190	NATURAL	1266						2C3	8000/U	130	NATURAL	1024						3BR3	8000/U	50	NATURAL	3359
2A4	8000/U	190	NATURAL	1170						2C4	8000/U	130	NATURAL	947						4BR	8000/U	90	NATURAL	1811
2A5	8000/U	70	NATURAL	755						2C5	8000/U	50	NATURAL	666										
2A6	8000/U	70	NATURAL	669						2C6	8000/U	50	NATURAL	603										
3A3	8000/U	130	NATURAL	2308																				
STAB	8000/U	90	NATURAL	2901																				
3A1	8000/U	470	NATURAL	5324						3C1	8000/U	230	NATURAL	5832						BRMAIN	PPSL	200	RED	1500
3A2	8000/U	360	NATURAL	5370						3C2	8000/U	230	NATURAL	5851										KNOT POINT: 1300
4A1	8000/U	190	NATURAL	3648						3C3	8000/U	70	NATURAL	6142										

LINES TECHNICAL DATA

ICEPEAK EVOX

27

REF.	MAT.	kg	COLOR	mm	REF.	MAT.	kg	COLOR	mm	REF.	MAT.	kg	COLOR	mm	REF.	MAT.	kg	COLOR	mm	REF.	MAT.	kg	COLOR	mm
A					B					C					D					BRAKE				
a1	DC	60	WHT	270	b1	DC	60	WHT	256	c1	DC	60	WHT	503	d1	DC	35	WHT	617	br1	DC	35	WHT	1033
a2	DC	60	WHT	268	b2	DC	60	WHT	251	c2	DC	60	WHT	495	d2	DC	35	WHT	610	br2	DC	35	WHT	683
a3	DC	60	WHT	264	b3	DC	60	WHT	247	c3	DC	60	WHT	486	d3	DC	35	WHT	601	br3	DC	35	WHT	935
a4	DC	60	WHT	256	b4	DC	60	WHT	242	c4	DC	60	WHT	479	d4	DC	35	WHT	587	br4	DC	35	WHT	1001
a5	DC	60	WHT	252	b5	DC	40	WHT	236	c5	8000/U	70	NATURAL	1167						br5	DC	35	WHT	960
a6	DC	60	WHT	249	b6	DC	40	WHT	232	c6	8000/U	70	NATURAL	989						br6	DC	35	WHT	726
a7	DC	60	WHT	251	b7	DC	40	WHT	234	c7	8000/U	70	NATURAL	984						br7	DC	35	WHT	784
a8	DC	60	WHT	243	b8	DC	40	WHT	232	c8	8000/U	70	NATURAL	1027						br8	DC	35	WHT	865
a9	DC	40	WHT	850						c9	DC	40	WHT	757						br9	DC	35	WHT	792
a10	DC	40	WHT	705						c10	DC	40	WHT	626						br10	DC	35	WHT	661
a11	DC	35	WHT	266						c12	DC	40	WHT	625						br11	DC	35	WHT	561
a12	DC	35	WHT	234						c14	DC	40	WHT	651						br12	DC	35	WHT	692
a13	DC	35	WHT	239						c15	DC	40	WHT	671										
a14	DC	35	WHT	263						c16	DC	40	WHT	687										
a15	DC	35	WHT	659																				
a16	DC	35	WHT	656																				
A1	8000/U	130	NATURAL	1276						C1	8000/U	90	NATURAL	792						2BR1	DC	35	WHT	1,099
A2	8000/U	130	NATURAL	1153						C2	8000/U	90	NATURAL	648						2BR2	DC	35	WHT	711
A3	8000/U	130	NATURAL	1162						C3	8000/U	90	NATURAL	660						2BR3	DC	35	WHT	936
A4	8000/U	130	NATURAL	1219						C4	8000/U	90	NATURAL	751						2BR4	DC	35	WHT	785
A5	8000/U	90	NATURAL	1166																2BR5	DC	35	WHT	809
A6	8000/U	90	NATURAL	997																2BR6	DC	35	WHT	883
A7	8000/U	90	NATURAL	994																				
A8	8000/U	90	NATURAL	982																				
A10	DC	40	WHT	469																				
A11	DC	40	WHT	454																				
2A1	8000/U	230	NATURAL	1440						2C1	8000/U	130	NATURAL	1177						3BR1	8000/U	50	NATURAL	3994
2A2	8000/U	230	NATURAL	1405						2C2	8000/U	130	NATURAL	1146						3BR2	8000/U	50	NATURAL	3580
2A3	8000/U	190	NATURAL	1290						2C3	8000/U	130	NATURAL	1043						3BR3	8000/U	50	NATURAL	3423
2A4	8000/U	190	NATURAL	1192						2C4	8000/U	130	NATURAL	965						4BR	8000/U	90	NATURAL	1880
2A5	8000/U	70	NATURAL	769						2C5	8000/U	50	NATURAL	678										
2A6	8000/U	70	NATURAL	682						2C6	8000/U	50	NATURAL	614										
3A3	8000/U	130	NATURAL	2357																				
STAB	8000/U	90	NATURAL	2961																				
3A1	8000/U	470	NATURAL	5433						3C1	8000/U	230	NATURAL	5950						BRMAIN	PPSL	200	RED	1500
3A2	8000/U	360	NATURAL	5481						3C2	8000/U	230	NATURAL	5971										KNOT POINT: 1300
4A1	8000/U	190	NATURAL	3723						3C3	8000/U	70	NATURAL	6269										



NIVIUK ICEPEAK EVOX 20

LINES HEIGHT + RISER mm

	A	B	C	D	br
1	7610	7595	7613	7714	7867
2	7499	7482	7479	7582	7567
3	7468	7451	7452	7554	7448
4	7506	7492	7519	7615	7502
5	7398	7382	7392		7301
6	7248	7231	7238		7099
7	7161	7144	7165		7017
8	7142	7130	7199		7084
9	6979		6982		6905
10	6855		6870		6792
11	6804		6815		6768
12	6776		6837		6878
13	6767		6687		
14	6787		6701		
15	6676				
16	6674				

RISERS LENGHT mm

	A	A'	B	
	514	517	516	STANDARD
	374	444	516	ACCELERATED

NIVIUK ICEPEAK EVOX 22

LINES HEIGHT + RISER mm

	A	B	C	D	br
1	7980	7966	7975	8080	8277
2	7865	7848	7835	7942	7962
3	7835	7818	7808	7913	7838
4	7876	7862	7881	7980	7895
5	7763	7747	7748		7686
6	7607	7590	7587		7475
7	7516	7499	7512		7390
8	7497	7485	7549		7461
9	7328		7320		7274
10	7197		7203		7156
11	7144		7145		7132
12	7115		7168		7248
13	7105		7020		
14	7127		7035		
15	7009				
16	7007				

RISERS LENGHT mm

	A	A'	B	
	514	517	516	STANDARD
	374	444	516	ACCELERATED

NIVIUK ICEPEAK EVOX 24

LINES HEIGHT + RISER mm

	A	B	C	D	br
1	8246	8232	8239	8348	8572
2	8128	8111	8098	8207	8247
3	8098	8081	8071	8178	8120
4	8141	8127	8146	8248	8180
5	8026	8010	8012		7964
6	7866	7849	7846		7747
7	7772	7755	7768		7660
8	7753	7742	7806		7734
9	7577		7571		7541
10	7442		7449		7419
11	7388		7390		7395
12	7358		7414		7515
13	7348		7260		
14	7370		7275		
15	7248				
16	7246				

RISERS LENGHT mm

	A	A'	B	
	514	517	516	STANDARD
	374	444	516	ACCELERATED

NIVIUK ICEPEAK EVOX 25

LINES HEIGHT + RISER mm

	A	B	C	D	br
1	8504	8490	8499	8609	8857
2	8384	8367	8354	8465	8522
3	8355	8338	8326	8436	8392
4	8399	8386	8405	8509	8454
5	8281	8265	8266		8233
6	8115	8098	8096		8009
7	8020	8003	8016		7920
8	8001	7990	8056		7997
9	7819		7812		7799
10	7680		7687		7673
11	7624		7625		7649
12	7593		7649		7773
13	7582		7492		
14	7606		7507		
15	7480				
16	7477				

RISERS LENGHT mm

	A	A'	B	
	514	517	516	STANDARD
	374	444	516	ACCELERATED

SUSPENSION TECHNICAL DATA

ARTIK 5

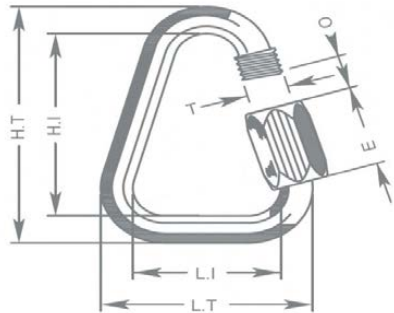
MATERIAL CODE		DC	DC	DC	A-8000/U	A-8000/U	A-8000/U	A-8000/U	A-8000/U	A-8000/U	A-8000/U	PPSL
STRENGTH CODE		35	40	60	050	070	90	130	190	360	470	200
DIAMETER mm	Ø	0,38	0,5	0,6	0,5	0,7	0,8	0,9	1,1	1,4 X 1,9	1,6 X 2,2	1,42
CORE MATERIAL		DYNEEMA	DYNEEMA	DYNEEMA	ARAMID	ARAMID	ARAMID	ARAMID	ARAMID	ARAMID	ARAMID	DYNEEMA
SLEEVE MATERIAL		NO	NO	NO	NO	NO	NO	NO	NO	NO	NO	POLYESTER
WEIGHT G/M	TOTAL	0,11	0,19	0,24	0,3	0,4	0,5	0,8	1,1	2,1	2,8	1,6
BREAKING STRENGTH	MINIMUM	35	40	60	50	70	90	130	190	360	470	200
	MAXIMUM	38	48	84	59	78	110	144	211	380	-	241
STRENGTH AFTER												
5.000 BENDING	TEST EN	33	33	74	26	39	49	88	52	196,6	-	191
CYCLES												
ELONGATION AT	5 DAN EN %				0,4	0,5	0,4	0,4	0,4	0,2	0,5	
	10 daN en %	0,77		0,43	0,7	0,7	0,6	0,6	0,6	0,3	0,6	0,24
	15 DAN EN %				1,1	1	0,8	0,8	0,7	0,4	0,7	
	20 DAN EN %				1,5	1,3	1	0,9	0,9	0,5	0,8	
	25 DAN EN %				1,9	1,5	1,3	1	1	0,6	0,9	
	30 DAN EN %			1,2	3,3	2,8	2,3	1,8	1,6		1,2	0,55
	75 DAN EN %					3,7	3,2	3,1	2,7	1,5	1,6	
	100 DAN EN %								2,6	1,9	1,9	
	125 DAN EN %								3,5		2,3	
	150 DAN EN %								4,3	2,6	2,7	
	175 DAN EN %										3,1	
	200 DAN EN %									3,1	3,2	
ELONGATION MAX. BREAKING STRENGTH %				3,2	3,8	3,9	4,3	4	4,4		5	

MAILLON TECHNICAL DATA

DESCRIPTION

MAILLON	DELTA
CODE	3.5
MATERIAL	STAINLESS STEEL
SIZE	3 mm
WEIGHT	5 G/PIECE
QUANTITY	6 PIECES
INSERTS	2 GREEN / 4 BLACK

TECHNICAL SPECIFICATIONS



DIMENSIONS	mm
L.T.	22
L.I.	14
H.T.	37
H.I.	29
O	5
E	12
T	4
LOAD	kg
WORKING LIMIT	110
BREAKING	550

MATERIAL

AISI 304 STAINLESS STEEL

STANDARD

CLOSING APPLIED BY MANUAL & ENTIRE SCREWING OF THE NUT
TO GUARANTEE THE HIGHEST SAFETY (NO THREAD SHOULD BE OBVIOUS)

SYSTEMATIC CONTROL OF MAILLON QUICK-LINKS BEFORE EVERY FLIGHT

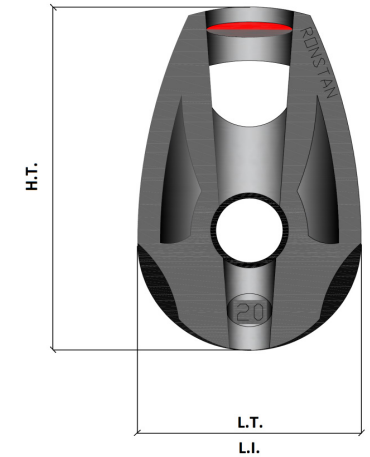
PULLEY TECHNICAL DATA

DESCRIPTION

PULLEY	20 mm
CODE	RF25109
MATERIAL	STAINLESS STEEL
	NYLON
	CARBON ACETAL
BEARING	DELRIN®
WEIGHT	9 G/PIECE

TECHNICAL SPECIFICATIONS

DIMENSIONS	mm
L.T.	20
L.I.	20
H.T.	32
Ø	6 MAX
LOAD	kg
WORKING LIMIT	250
BREAKING	550



THREAD TECHNICAL DATA**SAIL MAKING**

NAME	SERAFIL
N° OF REFERENCE	60
MATERIAL	POLYESTER
TYPE OF FINISH	SILK
LINEAR DENSITY	NM 61 / 3 (DTEX 163 * 3)
BREAKING STRENGTH	3,000 CN
ELONGATION	17,00%

SERAFIL PROPERTIES

SOLIDITY ARTIFICIAL LIGTH	ISO 105 B02 > 5 - 6
SOLIDITY SWEAT	ISO 105 E04 > 4
SOLIDITY WASHING	ISO 105 C04 > 3
SOLIDITY GRAZE IN DRY	ISO 105 X12 > 4
SOLIDITY WASHING IN DRY	ISO 105 D01 > 3 - 4

TREATMENT WATER REPELLENT	WR
---------------------------	----

RISERS MAKING

NAME	COATS BONDED C.F.P.
N° OF REFERENCE	V138
MATERIAL	POLYESTER
TYPE OF FINISH	SILK
BREAKING STRENGTH	9,5 KG
ELONGATION	19%

RISERS TECHNICAL DATA**RISERS**

N° OF REFERENCE	3455
MATERIAL	POLYESTER & TECHNORA
WIDTH	12 M/M
THICKNESS	0,9 M/M
BREAKING STRENGTH	1.078 DAN
ELONGATION	MAX. 11%
WEIGHTH	9,1 G* L.M.
COLOR	BLACK

COLOR INDICATOR

N° OF REFERENCE	IC-G 1-2
MATERIAL	POLYESTER
WIDTH	70 M/M
THICKNESS	0,80 M/M
BREAKING STRENGTH	130 DN
ELONGATION	35 %
WEIGHTH	32 G * L.M.
COLOR	GREEN

LOOPS

N° OF REFERENCE	LKI - 10
MATERIAL	NYLON
WIDTH	10 M/M
BREAKING STRENGTH	84 KG
ELONGATION	30 %
WEIGHTH	5,5 G/M
COLOR	WHITE

